



McDANIEL

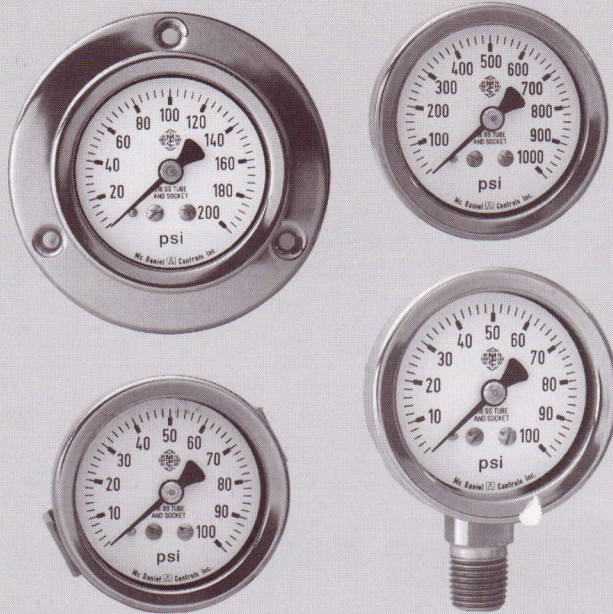
2" Liquid Fillable, All Stainless Steel Model Q3

The all stainless steel construction of our model Q3 provides resistance to corrosive environments and corrosive process media.

Our model Q3 features 316 stainless steel wetted parts. A 304 stainless steel case with polished and removable bayonet-style bezel ring.

The use of a laminated safety glass lens, rather than plastic, provides additional safety, and will not craze, scratch, or discolor.

For all of your demanding applications where durability, accuracy, and safety are required.



SPECIFICATIONS

Accuracy:

ASME B40.1 standard - Grade 1A (1% Full Scale)

Dial:

White enameled aluminum. Black figures.
2 inches (50mm)

Case:

304 Stainless Steel, filled or fillable.

Ring:

304 Stainless Steel - Polished (Removable).

Pointer:

Black enameled aluminum.

Lens:

Laminated Safety Glass.

Precision Movement

Stainless Steel

Bourdon Tube:

316 Stainless Steel (C Form 1000 PSI & Below).
(Spiral 1500 PSI & Above).

Pressure Utilization:

300% full scale pressure without rupture of the bourdon tube.

130% full scale pressure without loss of accuracy.

Stem and Socket:

316 Stainless Steel.

1/4" NPT or 1/8" NPT. (Specify 1/8")

Removable restrictor screw optional.

Ranges Available

Vacuum, Compound, Receiver 3-15

Up to 15,000 PSI (dual-scale available)

Configurations Available:

Bottom connected standard

(C) = Center-back connected

(U) = U-Clamp mounted, Center-back connected

(P) = Front Flange, Center-back connected

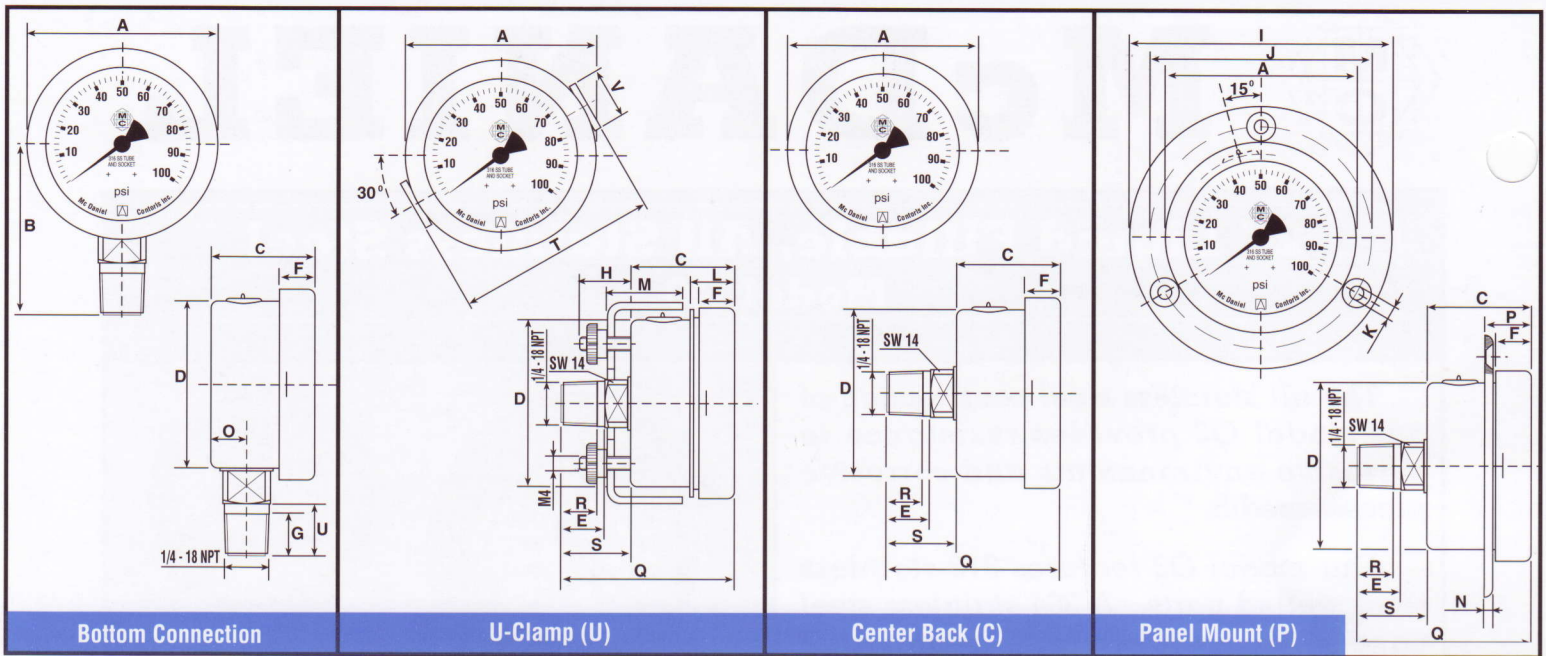
McDaniel Controls, Inc.

P. O. Box 187, Luling, LA 70070 • 14148 Highway 90, Boutte, LA 70039 U.S.A.

(985) 758-2782 • New Orleans (504) 467-1333 • Fax (985) 758-1688

www.mcdanielcontrols.com

DIMENSIONAL DATA



Nominal Case		Model	Size	Dia.	A	B	C	D	E	F	G	H	I	J	K	L	M	N	O	P	Q	R	S	T	U	V
Q3	50	mm	56	50	30.5	49	13	10.5	12	15	77	65	4	13	22	2.5	10.5	11.5	51	11	20.5	59	15	15		
1/4 NPT	2.00	inches	2.20	1.93	1.20	1.92	0.51	0.41	0.47	0.59	3.03	2.56	0.16	0.51	0.87	0.10	0.41	0.45	2.01	0.43	0.81	2.32	0.59	0.59		
Q3	50	mm	56	45	30.5	49	10	10.5	8	15	77	65	4	13	22	2.5	10.5	11.5	47	8	16.5	59	10	15		
1/8 NPT	2.00	inches	2.20	1.77	1.20	1.92	0.39	0.41	0.31	0.59	3.03	2.56	0.16	0.51	0.87	0.10	0.41	0.45	1.85	0.31	0.65	2.32	0.39	0.59		

* See website for dimensional data and downloadable AutoCAD files: www.mcdanielcontrols.com

Range code	Range psi	Minor Increments
A	0 - 15	.5
B	0 - 30	1
C	0 - 60	2
D	0 - 100	2
E	0 - 160	5
F	0 - 200	4
G	0 - 300	10
H	0 - 400	10
I	0 - 600	20
J	0 - 800	20
K	0 - 1000	20
L	0 - 1500	50
M	0 - 2000	40
N	0 - 3000	100
4k	0 - 4000	100
O	0 - 5000	100
6k	0 - 6000	200
P	0 - 10000	200
Q	0 - 15000	500
VACUUM	VACUUM	VACUUM
S	VAC 30"Hg - 0	1
RECEIVER	RECEIVER	RECEIVER
T	REC 3 - 15"	2
COMPOUND	COMPOUND	COMPOUND
U	30"Hg + 15	2-0-1
V	30"Hg + 30	2-0-1
W	30"Hg + 60	5-0-2
X	30"Hg + 100	5-0-2
Y	30"Hg + 160	5-0-5
2k	30"Hg + 200	10-0-5
Z	30"Hg + 300	10-0-10

** Receiver gauge is dual scale.
(0 - 100% primary, 0 - 10 square root secondary)

HOW TO ORDER

- Select the **Model** number (Q3=2" dial, 1/4" NPT.)
- Specify **Range Code** from list at left.
- Specify **Type of Mounting**:
(Bottom connection is standard, no code)
"C" = (Center-back connection)
"U" = (U-Clamp, Center-back connection)
"P" = (Front Flange, Center-back connection)
- Specify any other **Special Configuration** or options. (1/8" NPT size, dual-scales, oxygen cleaned, etc.)
- Add **Type of Filling**, if appropriate. (GF=Glycerin Filled, SF=Silicone Filled, FF=Fluorolube Filled)

Special Configuration Adder Codes

- B** = psi/Bar (dual scale) (nonstock)
- K** = psi/kPa (dual scale) (nonstock)
- O** = O₂ (oxygen cleaned) (nonstock)
- 1/8 = 1/8" NPT

Example:

Model	Range Code	Type of Mounting	Special Configuration	Type of Filling
Q3	D	—	—	GF

Order: A 2" all stainless steel gauge with 1/4" NPT bottom connection standard, range of 100 psi, filled at the factory with glycerin. (Q3D-GF)

Warning Glycerin filled gauges should not be used in applications involving strong oxidizing agents such as chlorine, nitric acid or hydrogen peroxide. (Refer to ASME B40.1)

Warranty and Repair

We warrant our pressure gauges to be free of defects in material and workmanship: Replacement of any defective gauge will be made at no cost to the purchaser.

We will repair any McDaniel gauge for a cost of \$15.00 on 4" and larger sizes; \$7.50 on 2 1/2" and smaller sizes. Prices are F.O.B. Boutte, Louisiana. (Damaged sockets, and/or bourdon tubes cannot be repaired.)

DISTRIBUTED BY:

It is recommended that users of pressure gauges become familiar with American National Standard ASME B40.1, entitled Gauges, Pressure and Vacuum - Indicating Dial Type - Elastic Element. This specification is available from:

American Society of Mechanical Engineers

3 Park Avenue
New York, New York 10016
Phone: 212-591-7722